

## 6.3 T800-55 High Sensitivity Preamplifier PCB

This section contains the following information.

IPN	Section	Page
220-01391-00	Parts List	6.3.2
	PCB Layout - Top Side	6.3.3
	T800-04 Circuit Diagram	6.3.3

## T838 Parts List (IPN 220-01100-03)

### How To Use This Parts List

The components listed in this parts list are divided into two main types: those with a circuit reference (e.g. C2, D1, R121, etc) and those without (miscellaneous and mechanical).

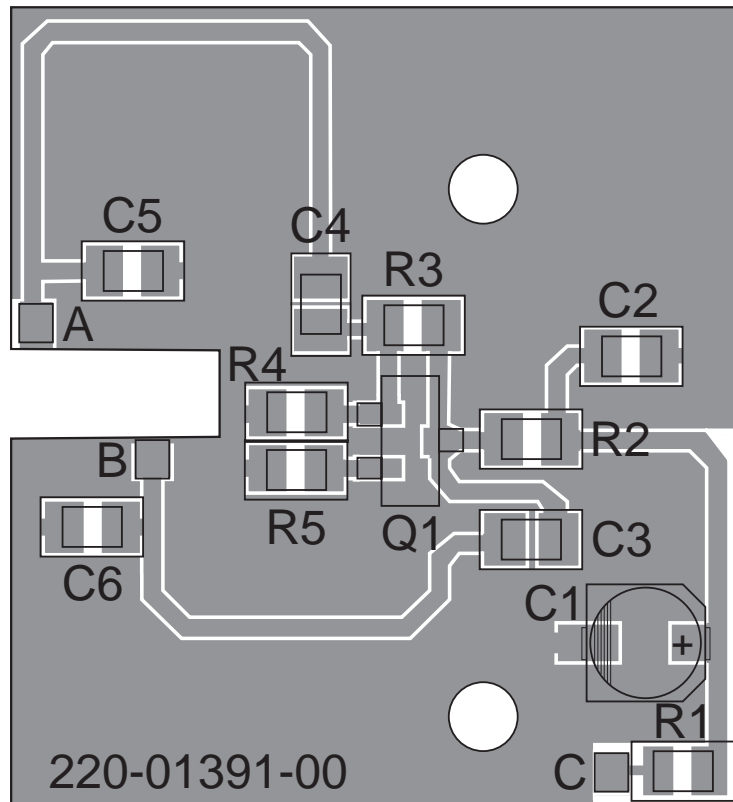
Those with a circuit reference are grouped by component type in numerical order. Each component entry comprises three or four columns: the circuit reference, variant number (if applicable), IPN and description. A number in the variant column indicates that this component is fitted only to that variant.

The miscellaneous and mechanical section lists the variant and common parts in IPN order.

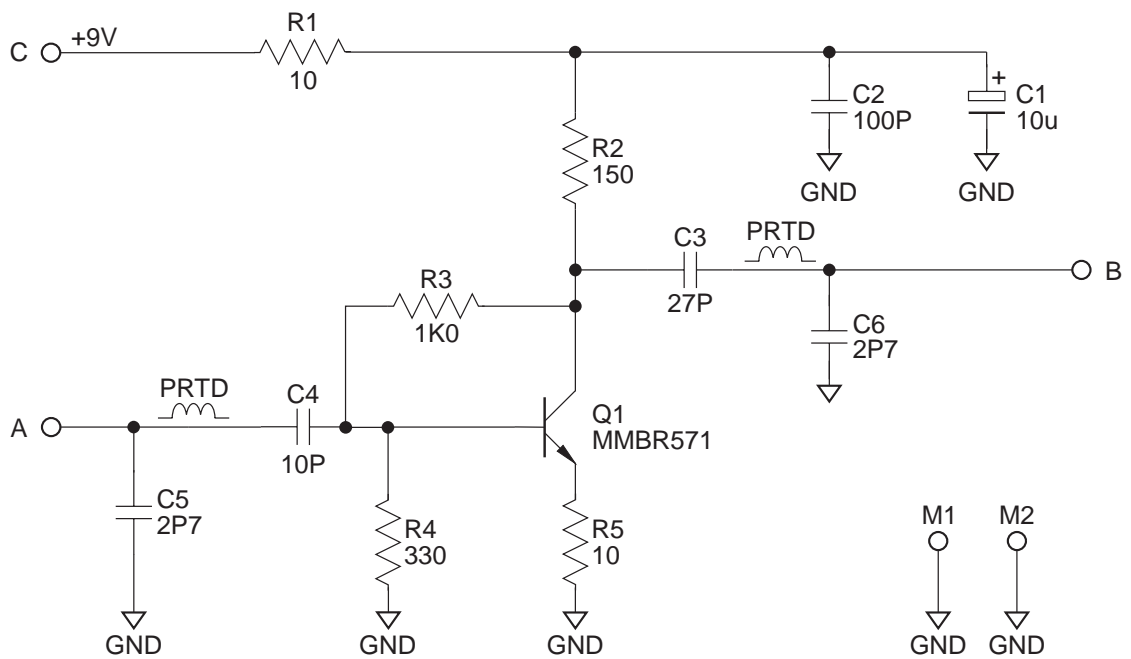
### Parts List Amendments

To be decided.

Ref	Var	IPN	Description	Ref	Var	IPN	Description
C1		016-08100-01	CAP ELECT 6*4MM CHIP 10M 20% 16V				
C2		015-23100-01	CAP CER 0805 CHIP 100P 5% NPO 50V				
C3		015-22270-01	CAP CER 0805 CHIP 27P 5% NPO 50V				
C4		015-22100-01	CAP CER 0805 CHIP 10P +/-0.5P NPO 50V				
C5		015-21270-01	CAP CER 0805 CHIP 2P7 +/-0.25P NPO 50V				
C6		015-21270-01	CAP CER 0805 CHIP 2P7 +/-0.25P NPO 50V				
Q1		000-10057-10	(S) XSTR SMD MMBR571 NPN SOT-23 UHF LO PW				
R1		036-12100-00	RES M/F 0805 CHIP 10E 5%				
R2		036-13150-00	RES M/F 0805 CHIP 150E 5%				
R3		036-14100-00	RES M/F 0805 CHIP 1K 5%				
R4		036-13330-00	RES M/F 0805 CHIP 330E 5%				
R5		036-12100-00	RES M/F 0805 CHIP 10E 5%				
		220-01391-00	PCB T800-55 HIGH SENSITIVITY PREAMPLIFIER				



T800-55 PCB Layout



T800-55 Circuit Diagram

